

# AN6888

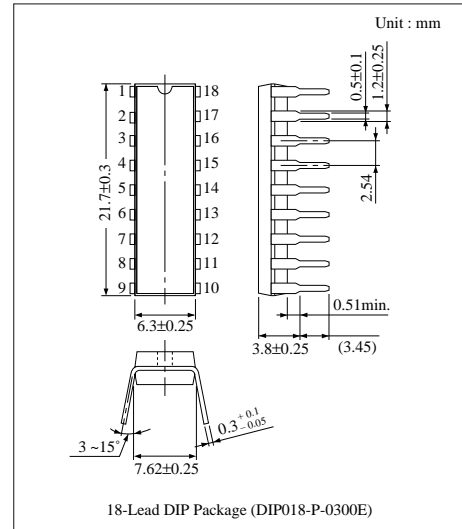
## Dual 5-Dot LED Driver Circuit

### ■ Overview

The AN6888 is an IC driving  $5 \times 2$ -ch LED and is capable of logarithmic bar graph display for input signal. Incorporating high gain rectification amp. enable to apply VU/Signal meter widely. Because the output is the constant current pull-in type, the constant current value can be variable by external resistance.

### ■ Features

- Wide range of operating voltage :  $V_{CC (opr.)} = 5V \sim 16V$
- Power consumption can be reduced due to series connection of LEDs
- Wide range of constant current :  $5mA \sim 25mA$
- Built-in high gain amp. :  $G_V = 26dB$  typ.



### ■ Block Diagram

